

SDF-Thermosafe

for Steam

How it works

The SDF-Thermosafe is a compact measuring unit that can be installed outdoors. The combination of heating and thermal insulation ensures fault-free operation even at extremely low outside temperatures. As an additional option, the SDF-Thermosafe can be fitted with a temperature monitor. The SDF-Thermosafe is fitted directly to the connector of the SDF probe, so there is no extra assembly work.

Areas of application

The SDF-Thermosafe is the ideal solution for measurements outdoors, where, in the event of frost, it is necessary to prevent the measuring device and pressure lines from freezing and, at the same time, eliminate the need for time-consuming routing of pressure lines including expensive insulation and, if required, trace heating. It is particularly suited to steam metering on link bridges, roofs and external walls.

The advantages at a glance

- ☞ Compact design
- ☞ Functional guarantee at extremely low outside temperatures (down to -50°C)
- ☞ Simple to install
- ☞ Measuring range can be matched to application
- ☞ Low pressure drop

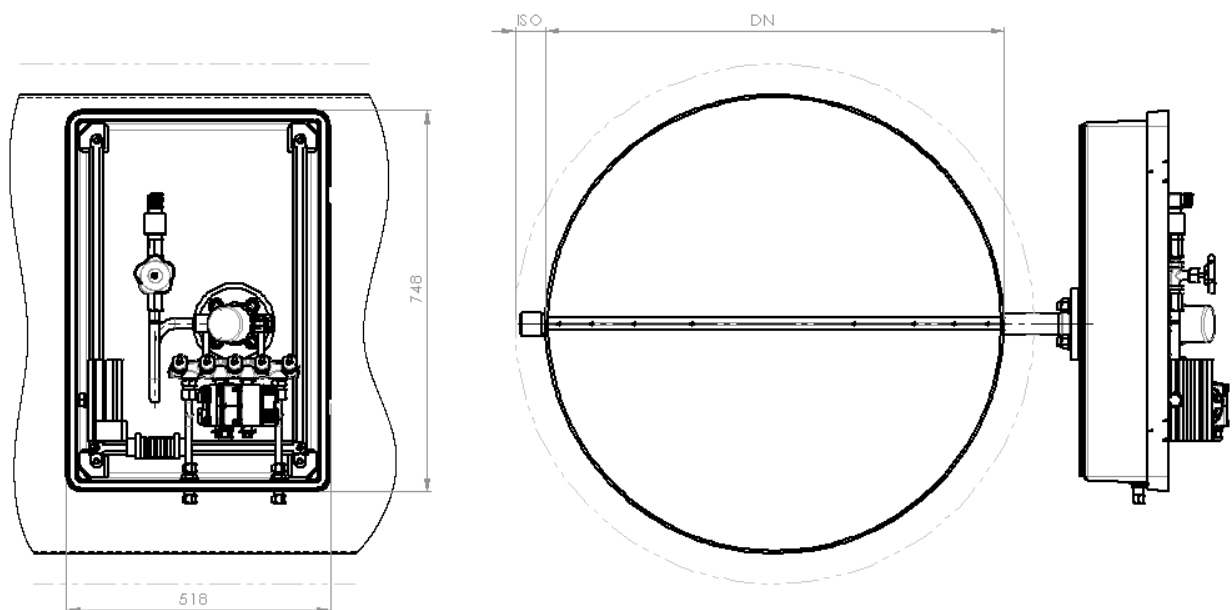
Optional

- ☞ Temperature monitoring
- ☞ Integrated temperature measurement
- ☞ Integrated pressure measurement
- ☞ Ex version

Technical data		
Flow sensor	Steam flow probe	Type SDF-DF
	Probe material	W-Nr. 1.4571
	Primary shut-off	5-way valve block (max. 200°C)
	Nominal pressure	PN40
Protective box	Accuracy	1% adhering to inflow/outflow sections
	Housing	Glass fibre reinforced polyester
	Dimensions (H x W x D)	750 x 520 x 430 mm
	Colour	RAL 7032 pebble grey
Differential pressure transmitter	Protection class	IP 65
	Connection	2-wire, 4 - 20 mA
Heating	Protection class	IP 65
	Rated voltage	230 V AC
	Rated output	500 W / Ex 100 W
	Protection class	IP 68

OPTIONS:

Pressure measurement	Pressure transmitter, external Assembly parts made of 1.4571, incl.	Transmitter type P121 2-wire, 4 - 20 mA Protection rating IP 65 (Measuring ranges 0...1, 1.6, 2, 2.5, 4, 6, 10, 16, 20, 25 or 40 bar (please clearly specify gauge or absolute))
Temperature measurement	Resistance thermometer, integrated <i>(not possible for DN50 - DN125 !)</i>	Pt100 class B, 3-wire Version as Pt100 direct, 3-wire, cl. B or also with transmitter 4 - 20 mA (please clearly specify measuring range)



Order code										
THS	-	-	-	-	-	-	-	-	-	
	DN50									Nominal width
	DN65									DN50
	DN80									DN65
	DN100									DN80
	DN125									DN100
	DN150									DN125
	DN200									DN150
	DN250									DN200
	DN300									DN250
	DN350									DN300
	DN400									DN350
	DN500									DN400
	DN600									DN500
	DN700									DN600
	DN800									DN700
	X									DN800
										Special version
										Insulation in mm
										In 100 mm steps, please clearly specify
										Pipe material
										Carbon steel
										Stainless steel
										Pressure measurement
										Without pressure measurement
										With pressure measurement *
										Temperature measurement
										Without temperature measurement
										With temperature measurement for NW DN50 - DN250
										With temperature measurement for NW DN300 - DN600
										With temperature measurement for NW DN700 - DN1000
										Without head transmitter (PT100, 3-wire, cl. B)
										With head transmitter *
										Pipe routing
										Horizontal pipework
										Vertical pipework
										Temperature monitoring
										Without temperature monitoring
										With temperature monitoring
										Window
										Without window
										With window
										Ex version
										Without
										With

* Please clearly specify measuring range

S.K.I. Schlegel & Kremer Industrieautomation GmbH
 Postfach 41 01 31
 D-41241 Mönchengladbach
 Hanns-Martin-Schleyer-Str. 22
 D-41199 Mönchengladbach

Tel. +49 (0) 2166-62317-0
 Web: www.ski-gmbh.com
 Email: info@ski-gmbh.com

Trademarks and logos are the property of their owner, subject to technical changes. Illustrations may contain options